



Always be here with you!



CE

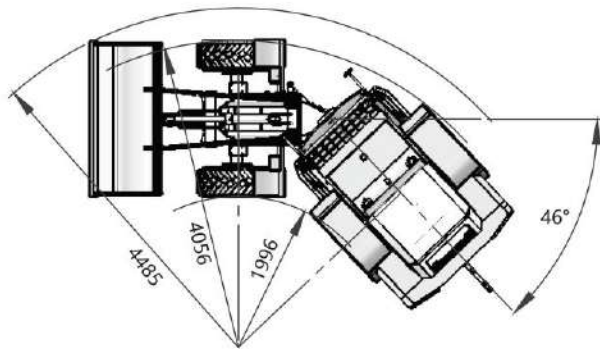
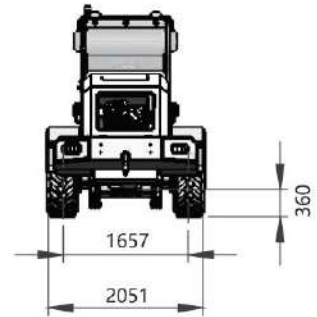
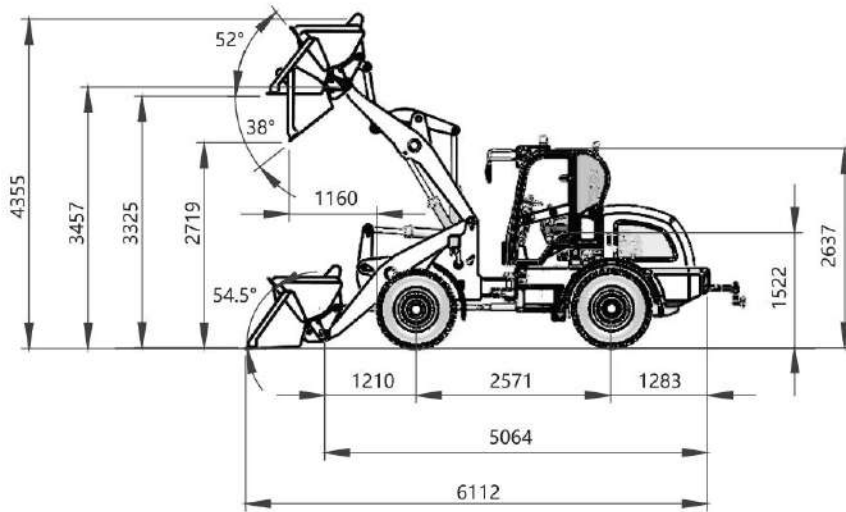
WHEEL LOADER

WL200



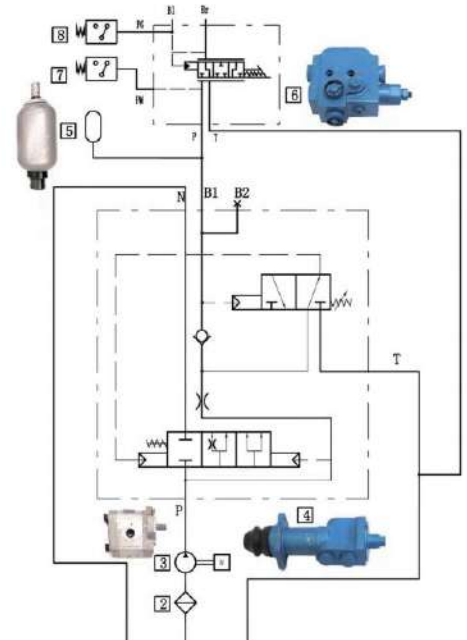
Specifications

Engine Model:	CHANGCHAI 4G33
Rated Power(kw):	70
Rated Speed(rpm):	2400
Rated load(kg):	2000
Rated Bucket Capacity(m3):	0.9-1.2
Overall Size LxWxH(mm):	6112×2051×2637
Wheel base (mm):	2571
Wheel thread(mm):	1657
Max.breakout force (KN):	80
Max.dump height(mm):	2719
Dump distance(mm):	1160
Total time(s):	9.5
Operating Weight(kg):	5500
Tyre:	16/70-20



BRAKE

The independent hydraulic oil braking system, which is different from other manufacturers' air-over-oil braking system, can ensure reliable braking ability and completely solve the problem of water existence in the air brake tank.





QINGDAO ZONGJIN ENGINEERING MACHINERY CO.,LTD.

WOLF (QINGDAO) EQUIPMENT CO.,LTD.



Tel: 0086-532-66739792

Email: info@chinawheelloaders.com

WeChat/Whatsapp: +8613589171650

Address: No.88 Chunyang Rd,Chengyang,Qingdao,China