



Always be here with you!



CE

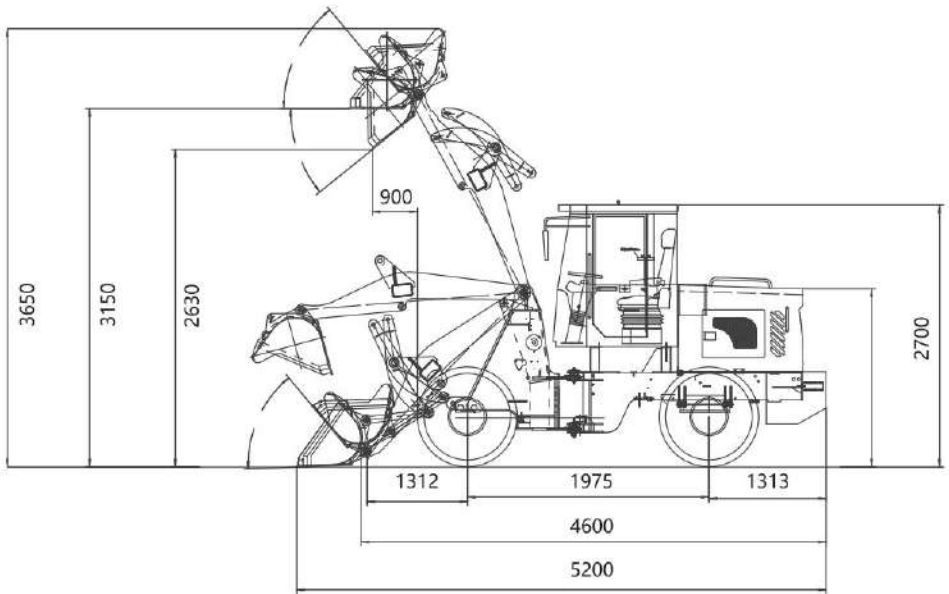
WHEEL LOADER

WL922



Specifications

Bucket Capacity (Cbm):	0.9-1.1
Rated Load (Kg):	1600
Overall Weight (Kg):	3300
Max. Dumping Height (mm):	2630
Standard Engine:	CHANGCHAI 490
Rated Power (Kw):	39
Rated Speed (R/min):	2400
Optional Engine:	XI CHAI/XIN CHAI
Wheel Base (mm):	1975
Wheel Thread (mm):	1400
L×W×H (mm):	5200×1750×2700
Standard tire:	20.5-16
Option Tire:	31×15.5-15



DESCRIPTION

Depending on customers' different working environment, we can use Donaldson filters.





QINGDAO ZONGJIN ENGINEERING MACHINERY CO.,LTD.

WOLF (QINGDAO) EQUIPMENT CO.,LTD.



Tel: 0086-532-66739792

Email: info@chinawheelloaders.com

WeChat/Whatsapp: +8613589171650

Address: No.88 Chunyang Rd,Chengyang,Qingdao,China